

# 目 录

## CONTENTS

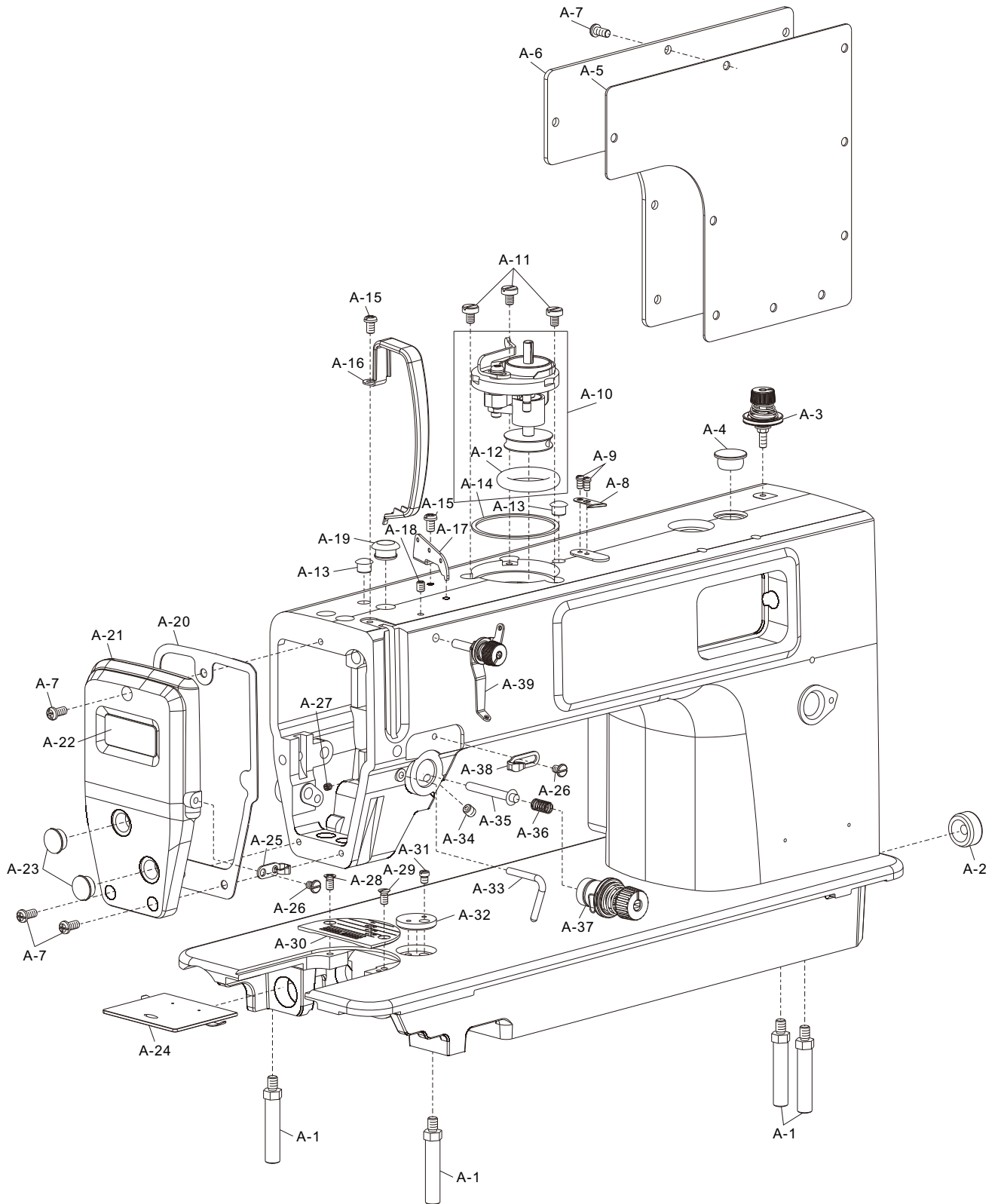
### 零件样本 Parts Book

<b>A</b>	机壳分组件 Machine Frame & Miscellaneous Cover Components	31
<b>B</b>	上轴、挑线分组件 Main Shaft & Thread Take-up Cover Components	33
<b>C</b>	抬压脚分组件 Hang Lifter & Tension Release Components	37
<b>D</b>	勾线分组件 Hook Of Driving Shaft Components	39
<b>E</b>	送料分组件 Feed Mechanism Components	41
<b>F</b>	剪线分组件 Thread trimmer Components	45
<b>G</b>	电控分组件 Drive-by-wire Components	47
<b>H</b>	润滑分组件 Lubrication Components	49
<b>I</b>	油盘、膝抬压脚分组件 Presser Foot Components Of Oil Plate Knee Lift	51
<b>J</b>	过线架分组件 Components Of Thread-running Stand	53
<b>K</b>	附件 Auxiliaries	55

# A

## 机壳分组件

### Machine Frame & Miscellaneous Cover Components



## A

## 机壳分组件

## Machine Frame &amp; Miscellaneous Cover Components

序号 Ref. No.	件号 Part No.	名称	Name of part	数量 QTY	备注 Remark
A-1	10002577	底板支柱	Bed screw stud	4	
A-2	10008941	橡胶塞	Rubber plug	1	
A-3	10062049	绕线夹线器组件	Bobbin thread tension ASM	1	
A-4	10009576	橡胶塞	Rubber plug	1	
A-5	10077619	后窗板垫	Side plate gasket	1	
A-6	20030171	后窗板	Side plate	1	
A-7	10008972	SM3/16"×28螺钉	Screw SM3/16"×28	12	
A-8	10011149	绕线切刀	Thread cutter	1	
A-9	10050423	SM9/64"×40螺钉	Screw SM9/64"×40	2	
A-10	10031086	绕线器	Bobbin wider ASM.	1	
A-11	10004380	SM3/16"×32螺钉	Screw SM3/16"×32	3	
A-12	10008773	橡胶轮	Rubber ring	1	
A-13	10008943	橡胶塞	Rubber ring	2	
A-14	10061911	绕线器垫	Bobbin wider ASM. Washer	1	
A-15	10008934	SM3/16"×28螺钉	Screw SM3/16"×28	2	
A-16	20027103	挑线杆护罩	Thread take-up lever cover	1	
A-17	10052992	过线板	Thread tension guide	1	D
A-18	10041529	SM3/16"×28螺钉	Screw SM3/16"×28	1	
A-19	10008942	橡胶塞	Rubber ring	1	
A-20	10077620	面板垫	Face plate gasket	1	
A-21	20030169	面板	Face plate	1	
A-22	*	面板装饰牌	Decorative board	1	
A-23	10008977	橡胶塞	Rubber ring	2	
A-24	10013706	推板部件	Push plate ASM.	1	
A-25	10008937	左线钩	Arm thread guide left	1	
A-26	10008973	SM11/64"×40螺钉	Screw SM11/64"×40	2	
A-27	10009074	M4螺钉	Screw M4	1	
A-28	10012463	SM11/64"×40螺钉	Screw SM11/64"×40	1	
A-29	10009005	SM11/64"×40螺钉	Screw SM11/64"×40	1	
A-30	10060708	针板组件	Needle plate	1	
A-30	10014459	针板组件	Needle plate	1	5
A-30	10068604	针板组件	Needle plate	1	S7
A-30	10052350	针板组件	Needle plate	1	H
A-31	10004374	SM11/64"×40螺钉	Screw SM11/64"×40	1	
A-32	10068607	限位挡片	Ruler plate	1	
A-33	10039823	缓线钩	Presser bar thread guide	1	
A-34	10006264	SM15/64"×28螺钉	Screw SM15/64"×28	1	
A-35	10062374	松线辅钉	Tension release supporting pin	1	
A-36	10050348	弹簧	Spring	1	
A-37	10062050	夹线器部件	Thread take-up device	1	
A-38	10008940	右线钩	Arm thread guide right	1	
A-39	10062051	上夹线器部件	Top thread tension ASM	1	D
A-40	10010640	三眼线钩	Thread-hole guid	1	

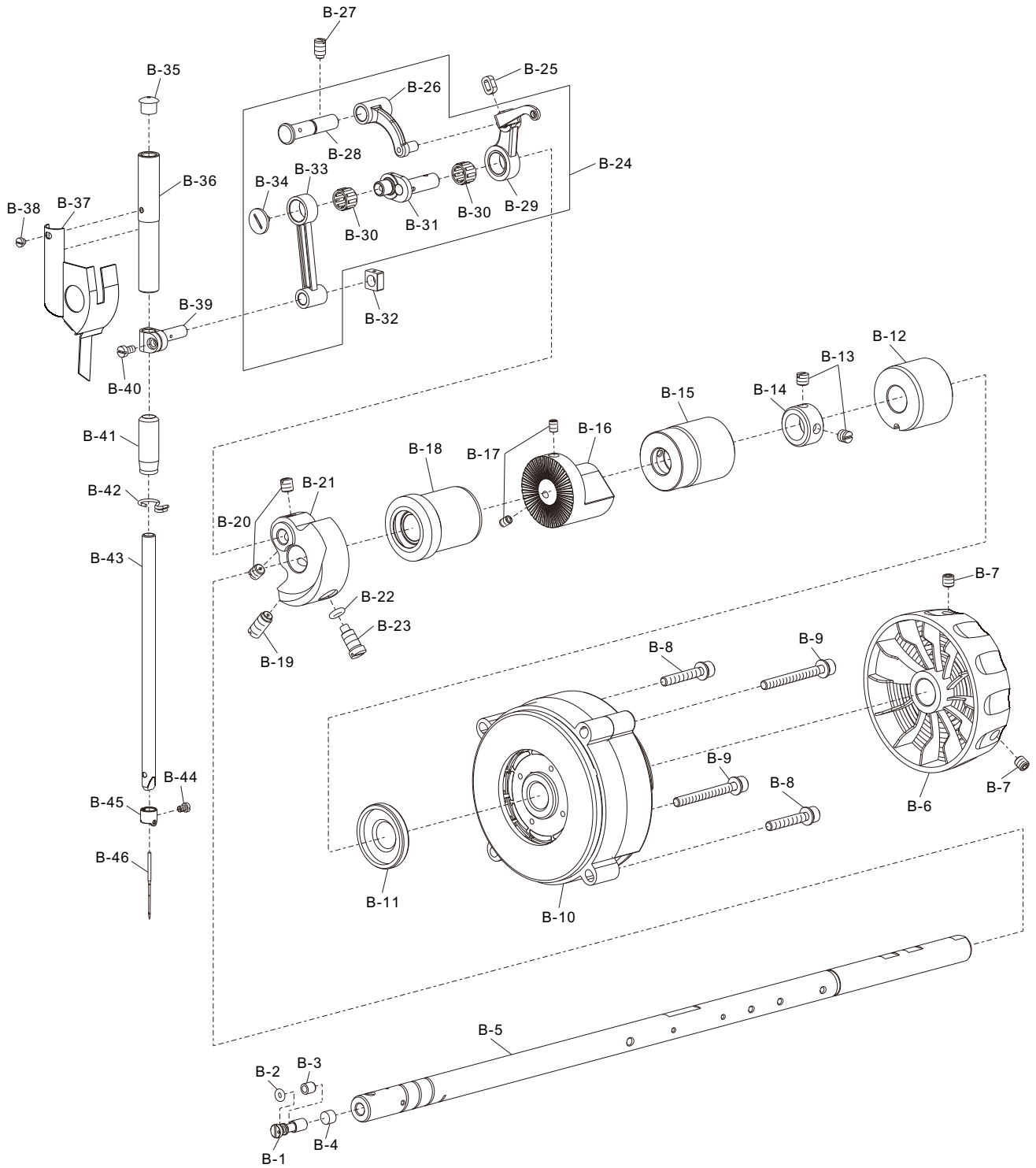
“\*” 具体内容需向客服咨询

“\*” Specific content need to consult customer service

# B

## 上轴、挑线分组件

## Main Shaft & Thread Take-up Cover Components



# B

## 上轴、挑线分组件

## Main Shaft & Thread Take-up Cover Components

序号 Ref. No.	件号 Part No.	名称	Name of part	数量 QTY	备注 Remark
B-1	10010504	油量调节销	Adjusting pin	1	
B-2	10010538	6.46×1.78 O形圈	O-ring 6.46×1.78	1	
B-3	10010540	油量调节销套	Sleeve of adjusting pin	1	
B-4	10010541	毛毡	Roler felt	1	
B-5	10077621	上轴	Main shaft	1	
B-6	20030172	上轮	Head wheel	1	
B-7	10011232	M6×6螺钉	Screw M6×6	2	
B-8	10043242	M5螺钉组件	Screw M5 ASM.	4	
B-9	10059025	M5螺钉组件	Screw M5 ASM.	2	D
B-10	*	分体电机组件	Motor ASM.	1	
B-11	10058049	油封	Oil seal	1	
B-12	10066834	上轴后轴套	Shaft sleeve	1	
B-13	10005020	SM1/4"×40螺钉	Screw SM1/4"×40	2	
B-14	10010542	挡圈	Thrust collar	1	
B-15	10048484	上轴中轴套	Shaft sleeve	1	
B-16	10074614	绕线主动轮	Driving wheel	1	
B-17	10041529	SM3/16"×28螺钉	Screw SM3/16"×28	2	
B-18	10061912	上轴前轴套	Shaft sleeve	1	
B-19	10010082	SM9/32"×28螺钉	Screw SM9/32"×28	1	
B-20	10010065	SM1/4"×40螺钉	Screw SM1/4"×40	2	
B-21	10012203	针杆曲柄	Crank	1	
B-21	10012858	针杆曲柄	Crank	1	5
B-21	10005938	针杆曲柄	Crank	1	H
B-22	10010534	9.2×2.4 O形圈	O-ring 9.2×2.4	1	
B-23	10010545	针杆曲柄定位螺钉	Screw	1	
B-24	10047592	挑线杆组件	Thread take-up lever ASM.	1	
B-25	10010539	挑线杆防油圈	Oil resistant cover	1	
B-26	10010535	挑线连杆	Connecting rod	1	
B-26	10005936	挑线连杆	Connecting rod	1	H
B-27	10010083	SM15/64"×28螺钉	Screw SM15/64"×28	1	
B-28	20019236	挑线连杆销组件	Pin ASM.	1	
B-29	10004158	挑线杆	Thread take-up lever	1	
B-29	10038474	挑线杆	Thread take-up lever	1	5
B-29	10005939	挑线杆	Thread take-up lever	1	H
B-30	10014107	K8×12×7.8滚针轴承	Needle bearing K8×12×7.8	2	
B-31	10004144	挑线曲柄部件	Crank ASM.	1	
B-31	10005937	挑线曲柄部件	Crank ASM.	1	5/H
B-32	10010586	针杆连接柱滑块	Sliding block	1	
B-33	10010592	针杆连杆	Connecting rod	1	
B-34	10010537	挑线曲柄左旋螺钉	Screw	1	
B-35	10010587	橡胶塞	Rubber plug	1	
B-36	10011063	针杆上轴套	Shaft sleeve	1	
B-37	10056308	面部防油板部件	ARM oil shield ASM.	1	
B-38	10005558	SM1/8"×44螺钉	Screw SM1/8"×44	1	
B-39	10010590	针杆连接柱	Joint pin	1	
B-40	10030286	SM9/64"×40螺钉	Screw SM9/64"×40	1	
B-41	10014117	针杆下轴套	Shaft sleeve	1	

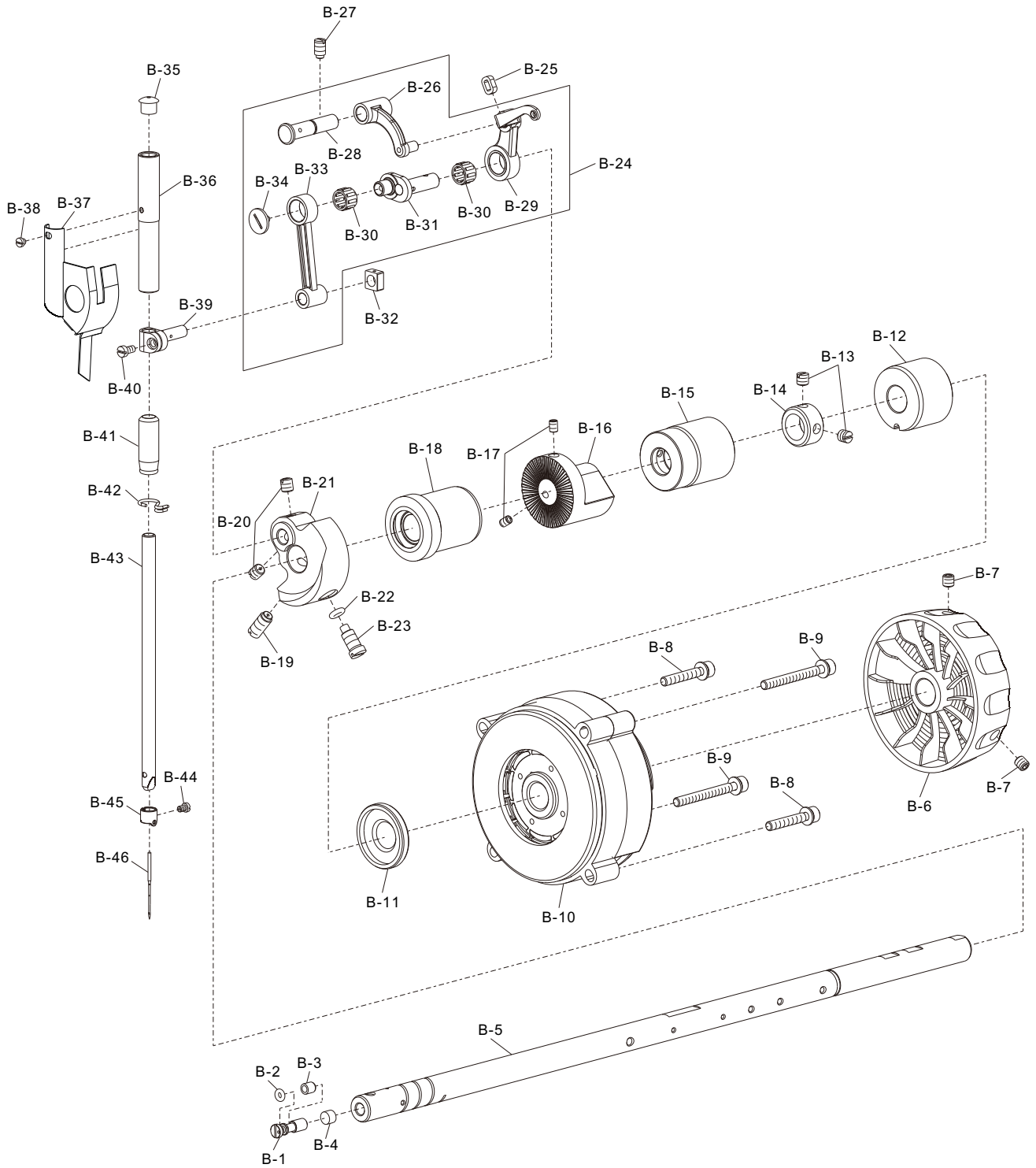
“\*” 具体内容需向客服咨询

“\*” Specific content need to consult customer service

# B

## 上轴、挑线分组件

## Main Shaft & Thread Take-up Cover Components

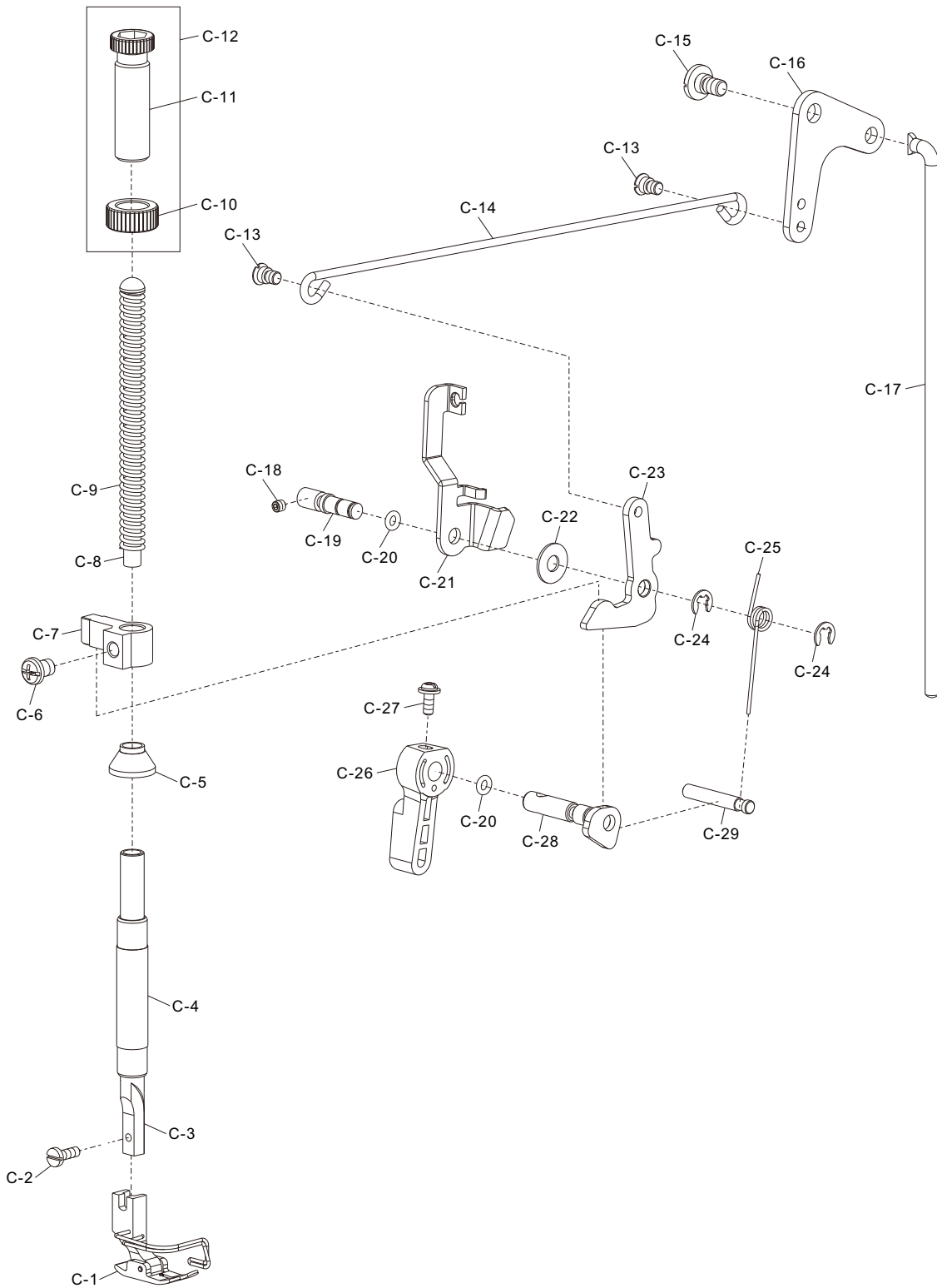






抬压脚分组件

Hang Lifter & Tension Release Components







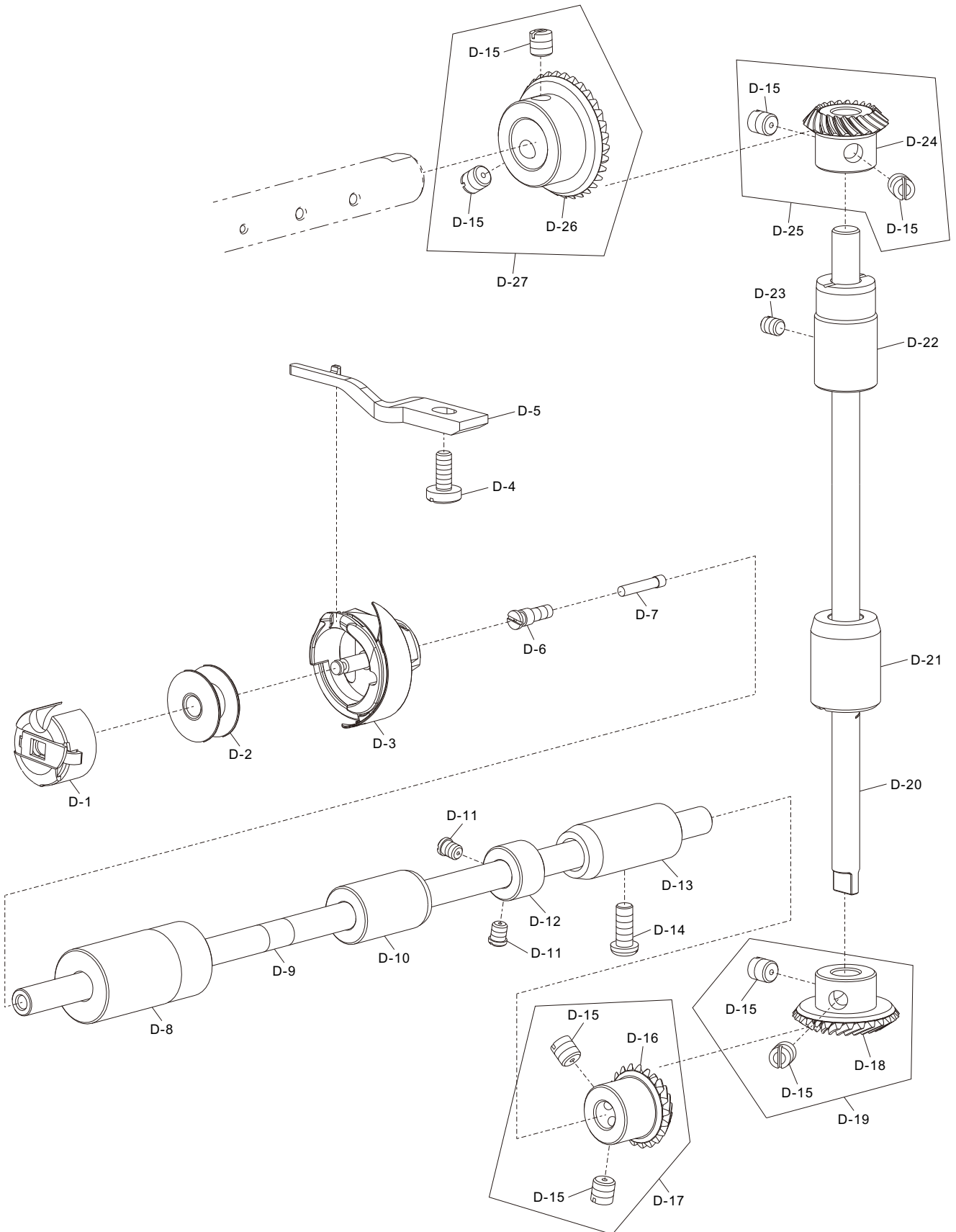
抬压脚分组件  
Hang Lifter & Tension Release Components

序号 Ref. No.	件号 Part No.	名称	Name of part	数量 QTY	备注 Remark
C-1	10052532	压脚组件	Presser foot ASM.	1	
C-1	10005982	压脚组件	Presser foot ASM.	1	-5/H
C-2	10010650	SM9/64"×40螺钉	Screw SM9/64"×40	1	
C-3	10010646	压杆	Presser bar	1	
C-4	10014118	压杆轴套	Shaft sleeve	1	
C-4	10005915	压杆轴套	Shaft sleeve	1	-5/H
C-5	10011457	压紧杆防油罩	Oil protector cover	1	
C-6	10040504	M6×8螺钉	Screw M6×8	1	
C-7	10039365	压杆导架	Presser guide bar bracket	1	
C-8	10004439	调压导杆	Presser guide bar	1	
C-9	10004473	调压弹簧	Spring	1	
C-10	10062022	调压螺母	Nut	1	
C-11	10062021	调压螺钉	Screw	1	
C-12	10062052	调压螺钉组件	Screw ASM.	1	
C-13	10010651	SM3/16"×32螺钉	Screw SM3/16"×32	2	
C-14	10050189	抬压脚拉杆	Lifting lever connecting rod	1	
C-15	10010652	后杠杆轴位螺钉	Screw	1	
C-16	10053738	抬压脚后杠杆	Lifting lever link components	1	
C-17	10067486	抬压脚顶杆	Connecting rod vertical	1	
C-18	10009074	M4×4螺钉	Screw M4×4	1	
C-19	10039373	松线顶板销	Pin	1	
C-20	10010027	3.68×1.78 O形圈	O-ring 3.68×1.78	2	
C-21	10053739	松线顶板	Tension release plate	1	
C-22	10073060	平垫圈	Snap ring	1	
C-23	10050188	压脚升降板	Lifting lever	1	
C-24	10013038	5×0.8挡圈	Closing ring 5×0.8	2	
C-25	10052046	压脚升降板复位簧	Spring	1	
C-26	10062023	压脚扳手	Hand lifter	1	
C-27	10010016	SM9/64"×40螺钉	Screw SM9/64"×40	1	
C-28	10050190	压脚扳手凸轮部件	Hand lifter CAM ASM.	1	
C-29	10039374	限位销	Pin	1	

“\*” 具体内容需向客服咨询  
“\*” Specific content need to consult customer service

# D

## 勾线分组件 Hook Of Driving Shaft Components



## D

## 勾线分组件

## Hook Of Driving Shaft Components

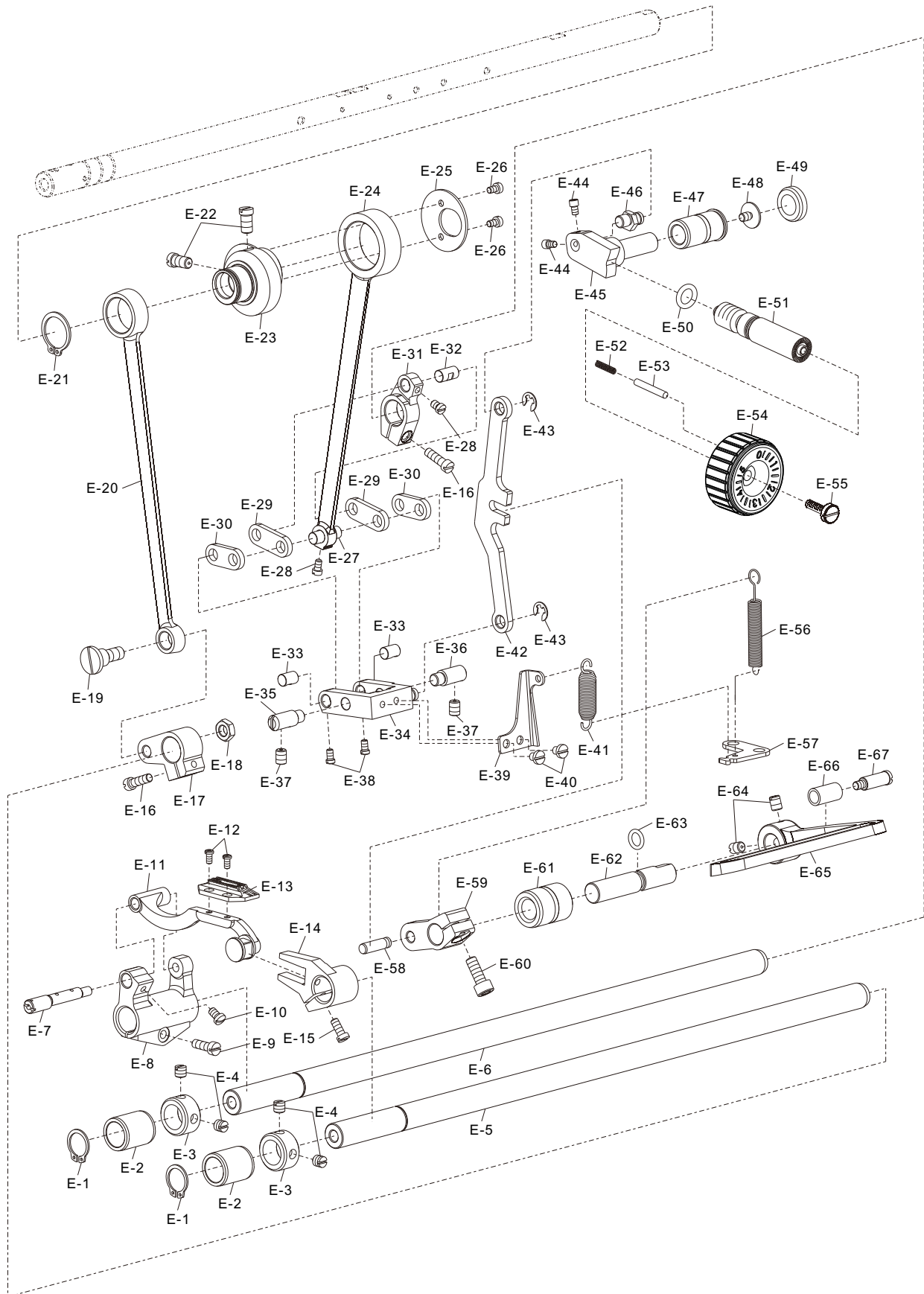
序号 Ref. No.	件号 Part No.	名称	Name of part	数量 QTY	备注 Remark
D-1	*	梭壳	Bobbin case	1	
D-2	10010060	梭芯	Bobbin	1	
D-2	10007138	梭芯	Bobbin	1	H
D-2	10025484	梭芯	Bobbin	1	D
D-3	*	旋梭	Hook	1	
D-4	10010066	SM11/64"×40螺钉	Screw SM11/64"×40	1	
D-5	10031260	旋梭定位钩	Positioning finger	1	
D-5	10029442	旋梭定位钩	Positioning finger	1	H
D-6	10010064	下轴限油螺钉	Screw	1	
D-7	10010063	油芯	Oil wick	1	
D-8	10007234	下轴前轴套	Shaft sleeve	1	
D-8	10023393	下轴前轴套	Shaft sleeve	1	H
D-8	10058811	下轴前轴套	Shaft sleeve	1	D
D-8	10026781	下轴前轴套	Shaft sleeve	1	D-H
D-9	10010061	下轴	Hook driving shaft	1	
D-9	10005985	下轴	Hook driving shaft	1	H
D-9	10008821	下轴	Hook driving shaft	1	D
D-10	10008857	下轴中轴套	Shaft sleeve	1	D
D-11	10010059	SM11/64"×40螺钉	Screw SM11/64"×40	2	
D-12	10010058	挡圈	Thrust collar	1	
D-13	10059385	下轴后轴套	Shaft sleeve	1	
D-14	10010030	SM3/16"×28螺钉	Screw SM3/16"×28	1	
D-15	10010065	SM1/4"×40螺钉	Screw SM1/4"×40	8	
D-16	10003937	下轴伞齿轮	Gear	1	
D-17	10002560	下轴伞齿轮组件	Gear ASM.	1	
D-18	10010029	竖轴下伞齿轮	Gear	1	
D-19	10002509	竖轴下伞齿轮组件	Gear ASM.	1	
D-20	10010057	竖轴	Upright shaft	1	
D-21	10074609	竖轴下轴套	Shaft sleeve	1	
D-22	10048488	竖轴上轴套	Shaft sleeve	1	
D-23	10008972	SM3/16"×28螺钉	Screw SM3/16"×28	1	
D-24	10010062	竖轴上伞齿轮	Gear	1	
D-25	10002561	竖轴上伞齿轮组件	Gear ASM.	1	
D-26	10010056	上轴伞齿轮	Gear	1	
D-27	10002445	上轴伞齿轮组件	Gear ASM.	1	

\*\* 具体内容需向客服咨询

\*\* Specific content need to consult customer service



送料分组件  
Feed Mechanism Components





送料分组件  
Feed Mechanism Components

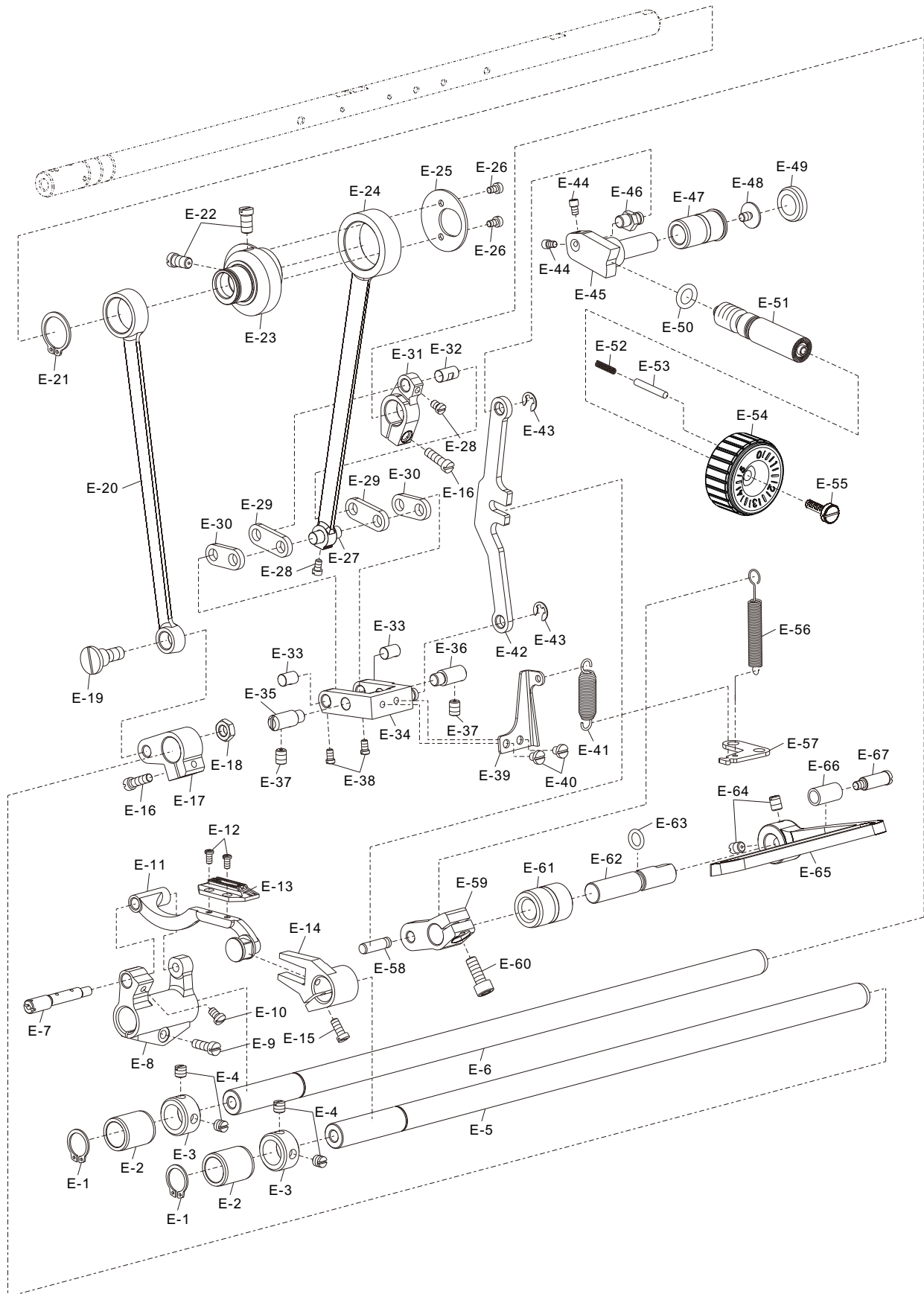
序号 Ref. No.	件号 Part No.	名称	Name of part	数量 QTY	备注 Remark
E-1	10010090	13.8×1挡圈	Closing ring 13.8×1	2	
E-2	10014116	送料拾牙轴轴套	Shaft sleeve	2	
E-3	10010542	挡圈	Thrust collar	2	
E-4	10038073	SM1/4"×40螺钉	Screw SM1/4"×40	4	
E-5	10010097	拾牙轴	Feed driving shaft	1	
E-6	10010073	送料轴	Feed rocker shaft	1	
E-7	10004440	牙架座偏心销	Pin	1	
E-8	10004474	牙架座	Feed bar driving crank	1	
E-9	10004993	SM3/16"×28螺钉	Screw SM3/16"×28	1	
E-10	10010074	SM11/64"×40螺钉	Screw SM11/64"×40	1	
E-11	10067264	牙架部件	Feed bar ASM.	1	
E-12	10010099	SM1/8"×44螺钉	Screw SM1/8"×44	2	
E-13	10052531	送料牙	Feed dog	1	
E-13	10026357	送料牙	Feed dog	1	S7
E-13	10007322	送料牙	Feed dog	1	5
E-13	10038413	送料牙	Feed dog	1	H
E-14	10010100	拾牙叉形曲柄	Crank	1	
E-14	10030200	拾牙叉形曲柄	Crank	1	S7/H
E-15	10004628	SM11/64"×40螺钉	Screw SM11/64"×40	1	
E-16	10010095	SM3/16"×28螺钉	Screw SM3/16"×28	2	
E-17	10010086	拾牙后曲柄	Crank	1	
E-18	10004475	SM9/32"×28螺母	Nut SM9/32"×28	1	
E-19	10010091	拾牙连杆轴位螺钉	Screw	1	
E-20	10010084	拾牙连杆	Connecting rod	1	
E-21	10010089	18.5×1.2挡圈	Closing ring 18.5×1.2	1	
E-22	10010092	SM1/4"×40螺钉	Screw SM1/4"×40	2	
E-23	10010115	送料偏心轮	Feed drive eccentric cam	1	
E-23	10005991	送料偏心轮	Feed drive eccentric cam	1	S7/H
E-24	10010072	送料连杆	Connecting rod	1	
E-24	10006004	送料连杆	Connecting rod	1	S7/H
E-25	10010098	送料偏心轮盖板	Thrust cover	1	
E-25	10005992	送料偏心轮盖板	Thrust cover	1	S7/H
E-26	10010643	SM9/64"×40螺钉	Screw SM9/64"×40	2	
E-27	10010069	送料连杆销	Pin	1	
E-28	10010071	SM9/64"×40螺钉	Screw SM9/64"×40	2	
E-29	10048696	送料长摆动板	Connecting plate	2	
E-30	10048736	送料短摆动板	Connecting plate	2	
E-31	10010076	送料曲柄	Crank	1	
E-32	10010096	送料曲柄销	Pin	1	
E-33	10010087	短摆动板连接销	Pin	2	
E-34	10010088	送料摆动板座部件	Feed adjusting ASM.	1	
E-34	10028750	送料摆动板座部件	Feed adjusting ASM.	1	S7/H
E-35	10010102	送料摆动板座右销	Pin	1	
E-36	10058783	送料摆动板座右销	Pin	1	
E-37	10010678	SM15/64"×28螺钉	Screw SM15/64"×28	2	
E-38	10010197	SM9/64"×40螺钉	Screw SM9/64"×40	2	
E-39	10010282	摆动板座复位板	Plate	1	

“\*” 具体内容需向客服咨询

“\*” Specific content need to consult customer service



送料分组件  
Feed Mechanism Components



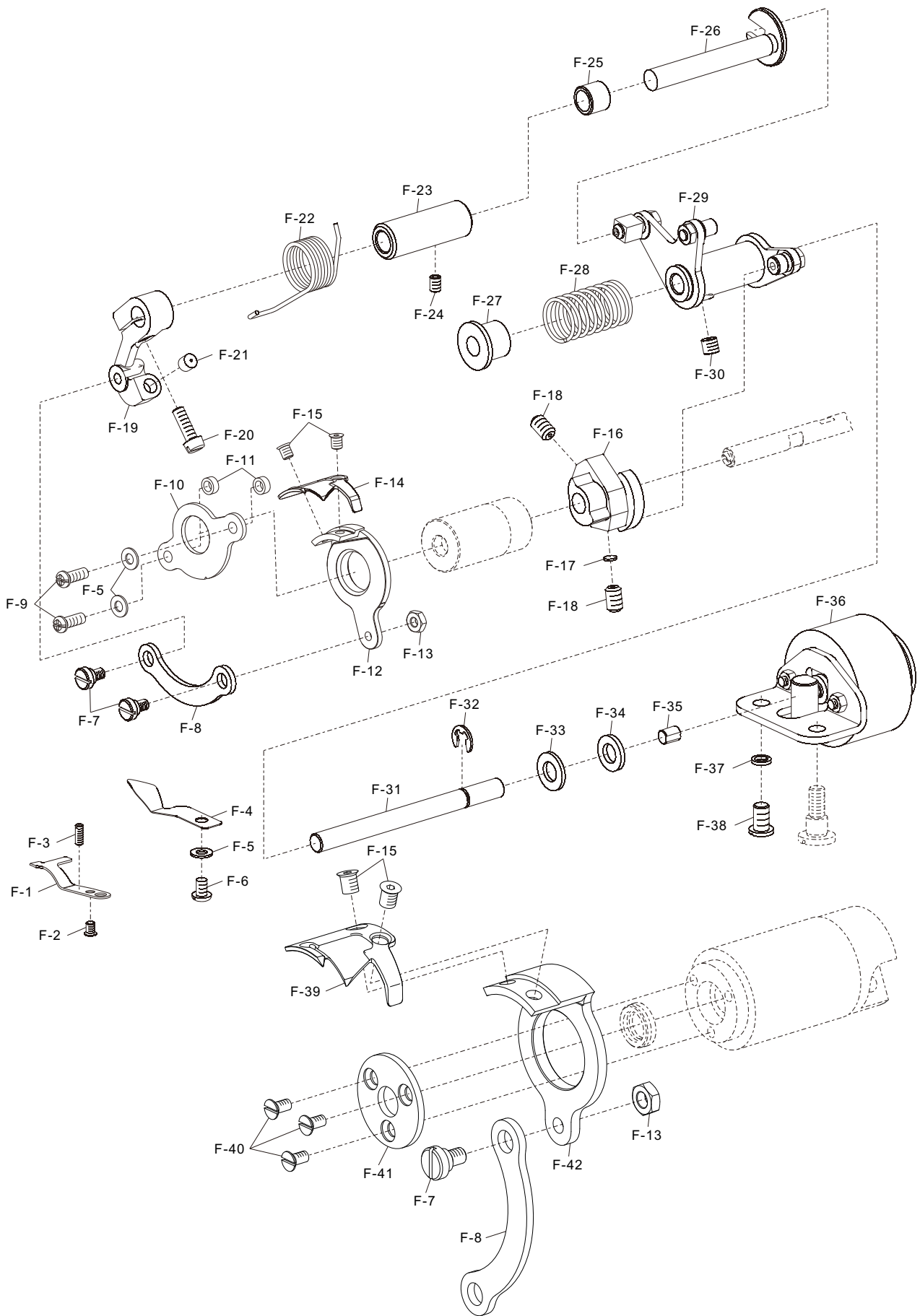


### 送料分组件

### Feed Mechanism Components

序号 Ref. No.	件号 Part No.	名称	Name of part	数量 QTY	备注 Remark
E-40	10010285	SM11/64"×40螺钉	Screw SM11/64"×40	2	
E-41	10010284	摆动板复位簧	Spring	1	
E-41	10012990	摆动板复位簧	Spring	1	5
E-41	20023528	摆动板复位簧	Spring	1	S7/H
E-42	10064647	倒送料连杆	Feed adjust rod	1	
E-42	10065217	倒送料连杆	Feed adjust rod	1	S7/H
E-43	10010649	5.1×0.6挡圈	Closing ring 5.1×0.6	2	
E-44	10051742	SM9/64"×40螺钉	Screw SM9/64"×40	2	
E-45	10053433	送料调节器	Feed regulator	1	
E-45	10054536	送料调节器	Feed regulator	1	S7/H
E-46	10026886	偏心销	Pin	1	
E-47	10053434	送料调节器轴套	Shaft sleeve	1	
E-48	10010238	送料调节器轴端螺钉	Screw	1	
E-49	10008975	橡胶塞	Rubber plug	1	
E-50	10010240	9.2×2.7 O形圈	O-ring 9.2×2.7	1	
E-51	10036738	送料调节螺柱	Screw	1	
E-52	10013869	旋钮锁簧	Spring	1	
E-53	10013870	旋钮定位销	Pin	1	
E-54	10077622	送料距旋钮	Feed dial	1	
E-54	10077950	送料距旋钮	Feed dial	1	S7/H
E-55	10010281	SM3/16"×28螺钉	Screw SM3/16"×28	1	
E-56	10004430	倒送料拉簧	Spring	1	
E-56	10012991	倒送料拉簧	Spring	1	5/S7/H
E-57	10010235	拉簧固定板	Plate	1	
E-57	10012987	拉簧固定板	Plate	1	5
E-58	10010287	倒送料曲柄销	Pin	1	
E-59	10031548	倒送料曲柄	Crank	1	
E-59	10065216	倒送料曲柄	Crank	1	S7/H
E-60	10009008	倒送料曲柄螺钉	Screw	1	
E-61	10014119	倒送料轴轴套	Shaft sleeve	1	
E-62	10062033	倒送料轴	Reverse feed shaft	1	
E-63	10010243	7.8×2 O形圈	O-ring 7.8×2	1	
E-64	10040504	M6螺钉	Screw M6	2	
E-65	20030170	倒送料扳手	Reverse feed control lever	1	
E-66	10050706	限位螺钉套	Rubber sleeve	1	S7/H
E-67	10050707	限位螺钉	Screw	1	S7/H

“\*” 具体内容需向客服咨询  
 “\*” Specific content need to consult customer service





# F

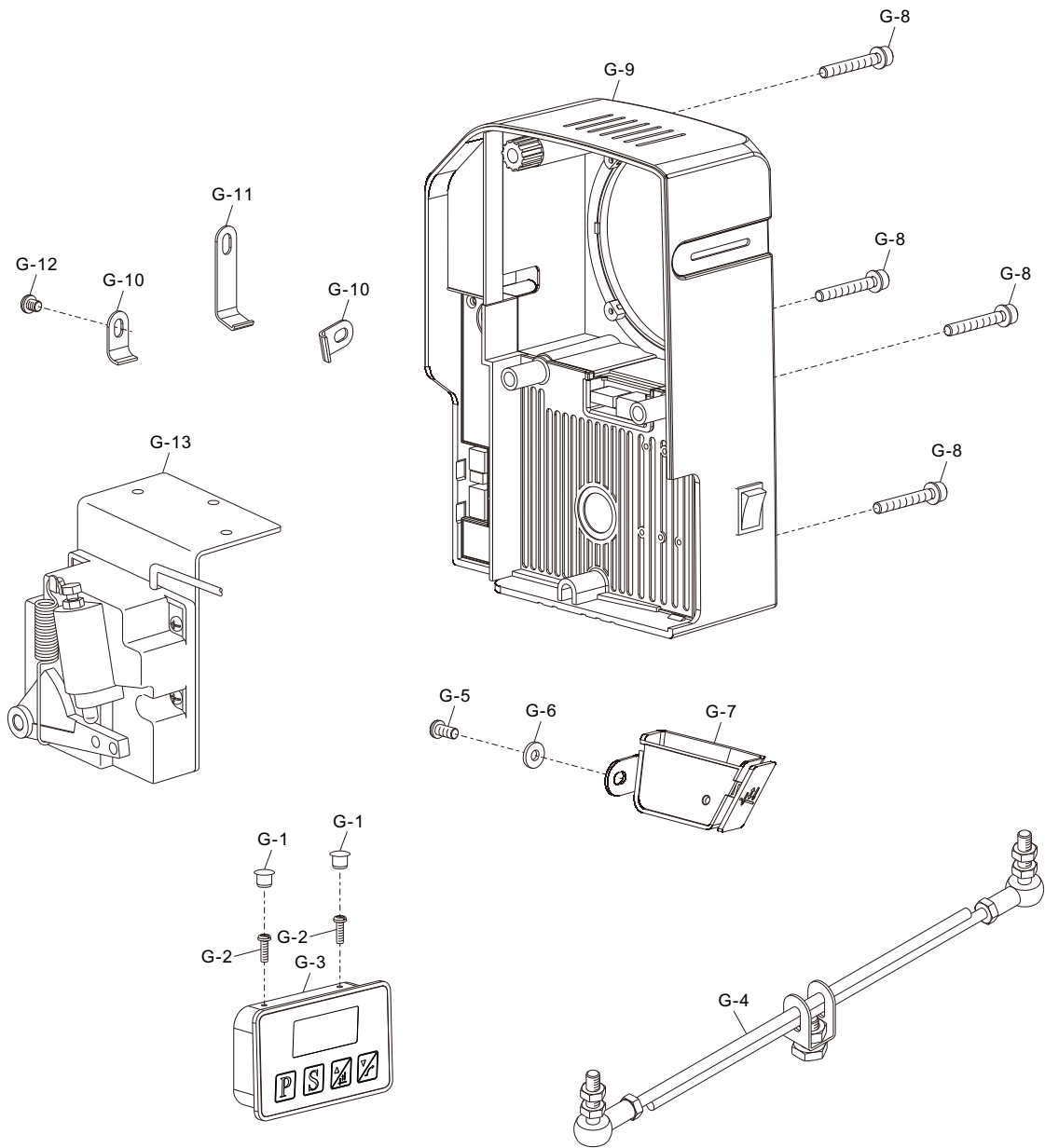
## 剪线分组件

## Thread trimmer Components

序号 Ref. No.	件号 Part No.	名称	Name of part	数量 QTY	备注 Remark
F-1	10011421	定刀	Fixed knife	1	D
F-2	10011422	SM9/64"×40螺钉	Screw SM9/64"×40	1	D
F-3	10024496	SM1/8"×40螺钉	Screw SM1/8"×40	1	D
F-4	10058067	分线器	Dispart	1	D
F-4	10062533	分线器	Dispart	1	D-H
F-5	10013154	9×4.5×0.8垫圈	Washer 9×4.5×0.8	3	D
F-6	10014474	SM11/64"×40螺钉	Screw SM11/64"×40	1	D
F-7	10011514	SM11/64"×40螺钉	Screw SM11/64"×40	2	D
F-8	10031612	刀轴连杆	Knife shaft crack rod	1	D
F-9	10010900	SM11/64"×40螺钉	Screw SM11/64"×40	2	D
F-10	10069005	刀架压板	Knife holder	1	D
F-11	10069004	导套	Guide sleeve	2	D
F-12	10004640	动刀架	Round knife bracket	1	D
F-13	10011578	SM11/64"×40螺母	Nut SM11/64"×40	1	D
F-14	10011494	动刀	Round knife	1	D
F-14	10030280	动刀	Round knife	1	D-5
F-15	10011588	SM11/64"×40螺钉	Screw SM11/64"×40	2	D
F-16	10010736	剪线凸轮	Thread trimmer cam	1	D
F-17	10023739	剪线凸轮垫	Cam collar	1	D
F-18	10013465	SM1/4"×40螺钉	Screw SM1/4"×40	2	D
F-19	10058043	切线驱动曲柄	Trimming crank	1	D
F-20	10008863	SM3/16"×32螺钉	Screw SM3/16"×32	1	D
F-21	10011580	曲柄止动块	Block	1	D
F-22	10011649	曲柄复位簧	Spring	1	D
F-23	10012454	切线轴套	Shaft sleeve	1	D
F-24	10012062	SM11/64"×40螺钉	Screw SM11/64"×40	1	D
F-25	10011630	曲柄轴短套	Short bushing	1	D
F-26	10008866	切刀驱动曲柄轴	Trimming crank shaft	1	D
F-27	10014196	弹簧端盖	Spring cover	1	D
F-28	10008812	弹簧	Spring	1	D
F-29	10011686	切线凸轮曲柄组件	Trimming cam crank ASM.	1	D
F-30	10008862	SM1/4"×40螺钉	Screw SM1/4"×40	1	D
F-31	10011697	切刀驱动轴	Trimming shaft	1	D
F-32	10009654	6×1挡圈	Closing ring 6×1	1	D
F-33	10003031	8.4×16×1.6垫圈	Washer 8.4×16×1.6	1	D
F-34	10011650	8.2×15×2垫圈	Washer 8.2×15×2	1	D
F-35	10050266	消音塞	Sound deadening plug	1	D
F-36	10031414	剪线电磁铁组件	Thread trimmer solenoid ASM.	1	D
F-37	10003077	6弹簧垫圈	Washer 6	1	D
F-38	10011605	SM1/4"×28螺钉	Screw SM1/4"×28	1	D
F-39	10026782	动刀	Round knife	1	D-H
F-40	10009626	M3×4.35螺钉	Screw M3×4.35	1	D-H
F-41	10013026	刀架压板	Knife holder	1	D-H
F-42	10026783	动刀架	Round knife bracket	1	D-H

“\*” 具体内容需向客服咨询

“\*” Specific content need to consult customer service





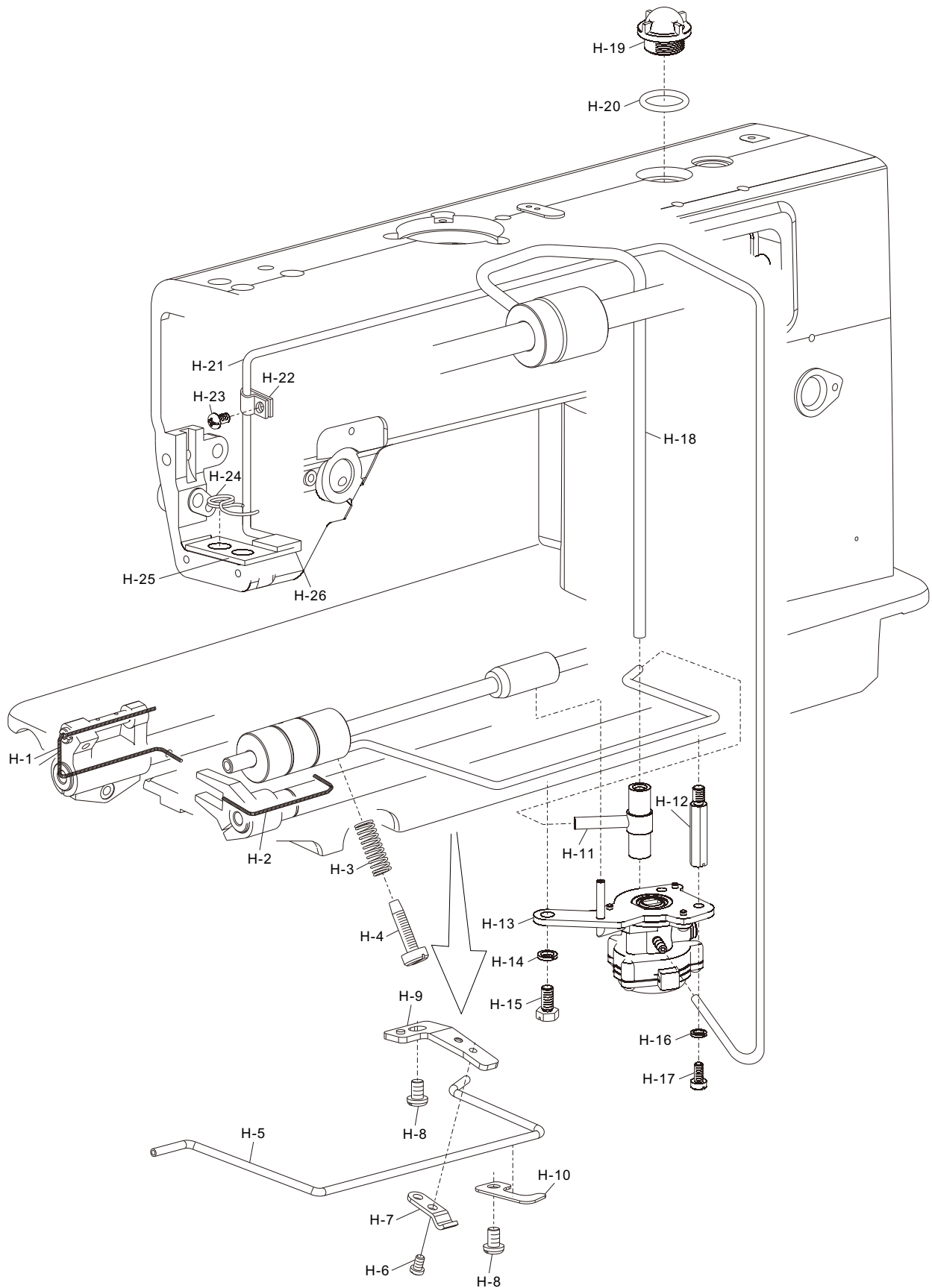
电控分组件  
Drive-by-wire Components

序号 Ref. No.	件号 Part No.	名称	Name of part	数量 QTY	备注 Remark
G-1	10014266	橡胶塞	Rubber plug	2	
G-2	10001796	M3×14螺钉	Screw M3×14	2	
G-3	*	操作屏组件	Operation screen ASM.	1	
G-4	10042945	踏板连杆组件	Pedal control rod ASM.	1	
G-5	10008934	SM3/16"×28螺钉	Screw SM3/16"×28	1	
G-6	10011168	4.8×11.6×1.6垫圈	Washer 4.8×11.6×1.6	1	
G-7	10077623	机头灯部件	Led lamp ASM.	1	
G-8	10049837	M5×35螺钉	Screw M5×35	4	
G-9	*	电控箱	Controll box	1	
G-10	10035172	电线夹1	Cord holder 1	2	
G-11	10071764	电线夹2	Cord holder 2	1	
G-12	10010899	SM3/16"×28螺钉	Screw SM3/16"×28	1	
G-13	*	踏板组件	Pedal unit ASM.	1	

\*\* 具体内容需向客服咨询  
\*\* Specific content need to consult customer service



润滑分组件  
Lubrication Components





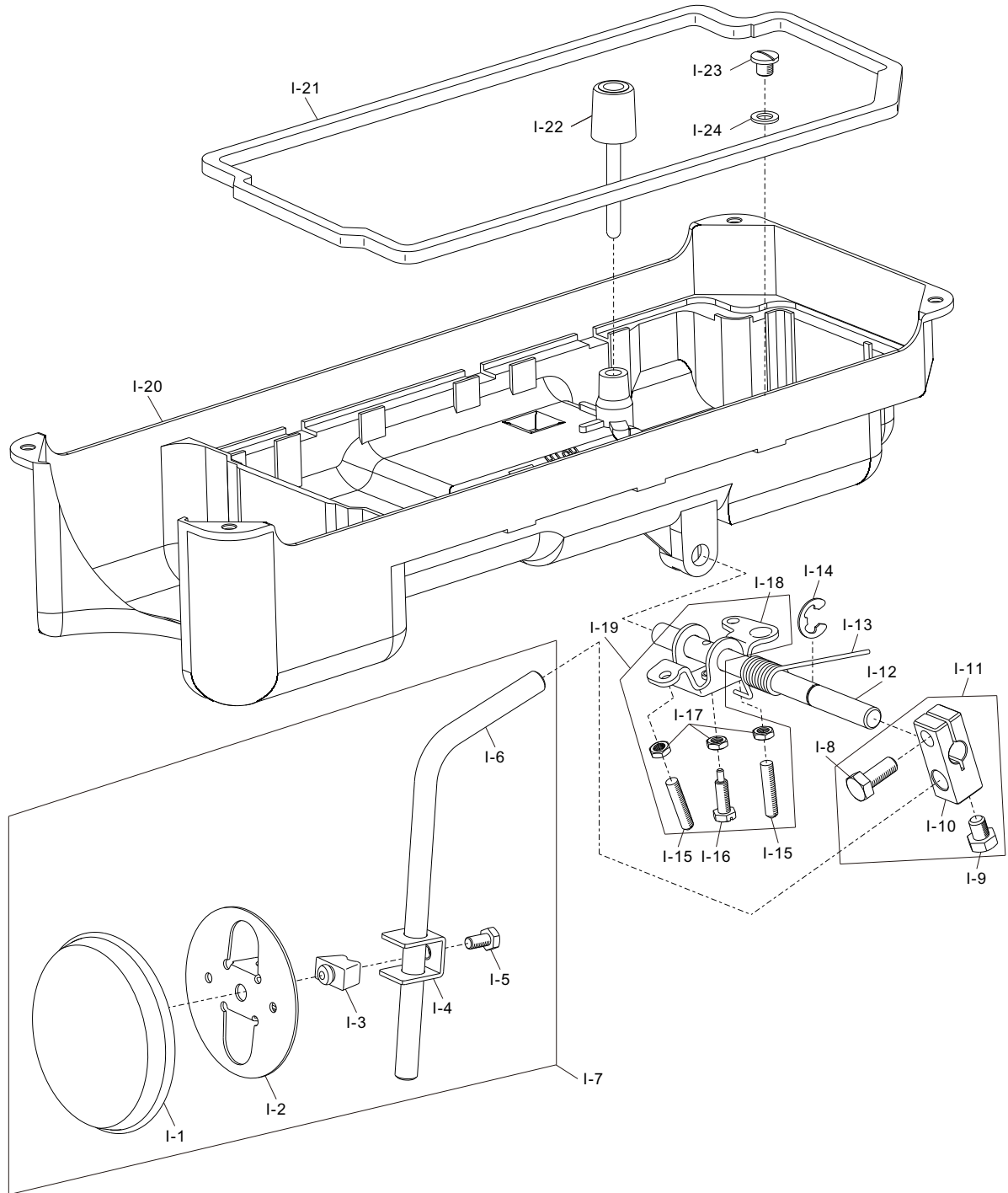
润滑分组件  
Lubrication Components

序号 Ref. No.	件号 Part No.	名称	Name of part	数量 QTY	备注 Remark
H-1	10008067	φ2油线(430mm)	Oil wick(430mm)	1	
H-2	10008067	φ2油线(400mm)	Oil wick(400mm)	1	
H-3	10010341	旋梭油量调节簧	Spring	1	
H-3	10008806	旋梭油量调节簧	Spring	1	D
H-4	10010344	旋梭油量调节螺钉	Screw	1	
H-4	10071296	旋梭油量调节螺钉	Screw	1	D
H-5	10010345	旋梭供油管	Oil tube	1	
H-5	10008807	旋梭供油管	Oil tube	1	D
H-6	10010074	SM11/64"×40螺钉	Screw SM11/64"×40	1	D
H-7	10012445	旋梭供油管压板	Tube holder	1	D
H-8	10010292	SM15/64"×28螺钉	Screw SM15/64"×28	1	
H-9	10012443	油管下支承板	Plate	1	D
H-10	10010295	旋梭供油管压板	Tube holder	1	
H-11	10010340	供油管接头	Oil connection	1	
H-12	10010293	油泵连接螺柱	Screw	1	
H-13	10008817	油泵部件	Oil pump ASM.	1	
H-14	10003077	6弹簧垫圈	Washer 6	1	
H-15	10050422	SM15/64"×28螺钉	Screw SM15/64"×28	1	
H-16	10005537	5弹簧垫圈	Washer 5	1	
H-17	10010066	SM11/64"×40螺钉	Screw SM11/64"×40	1	
H-18	10067141	上轴供油管	Oil tube	1	
H-19	10008938	油窗	Oil sight window	1	
H-20	10008939	19×3 O形圈	O-ring 19×3	1	
H-21	10007795	φ3.5×φ5油管(690mm)	Oil tube(690mm)	1	
H-22	10041628	回油管夹	Holder	1	
H-23	10008934	SM3/16"×28螺钉	Screw SM3/16"×28	1	
H-24	10010294	回油毛毡夹	Oil felt preser	1	
H-25	10054207	回油毛毡	Roler felt	1	
H-26	20026533	回油管组件	Oil return tube ASM.	1	

“\*” 具体内容需向客服咨询  
“\*” Specific content need to consult customer service

# 油盘、膝抬压脚分组件

## Presser Foot Components Of Oil Plate Knee Lift



# 油盘、膝抬压脚分组件

## Presser Foot Components Of Oil Plate Knee Lift

序号 Ref. No.	件号 Part No.	名称	Name of part	数量 QTY	备注 Remark
I-1	10004223	操纵板软垫	Knee pressing cover	1	
I-2	10003891	操纵板	Knee pressing plate	1	
I-3	10003900	操纵板垫	Knee pressing plate rubber	1	
I-4	10003897	操纵杆接头	Knee pressing plate holder	1	
I-5	10003894	SM15/64"×28螺钉	Screw SM15/64"×28	1	
I-6	10003901	操纵杆	Knee pressing plate rod	1	
I-7	10009985	操纵杆部件	Knee pressing plate ASM.	1	
I-8	10002613	M8×20螺钉	Screw M8×20	1	
I-9	10002610	M8×10螺钉	Screw M8×10	1	
I-10	10003896	抬压脚操纵杆接头	Connection	1	
I-11	10002562	抬压脚操纵杆接头组件	Connection ASM.	1	
I-12	10003899	抬压脚轴	Knee pressing shaft	1	
I-13	10003893	双向曲柄扭簧	Spring	1	
I-14	10002559	9.8×1挡圈	Closing ring 9.8×1	1	
I-15	10003895	M6×30螺钉	Screw M6×30	2	
I-16	10003898	双向曲柄螺钉	Screw	1	
I-17	10003890	M6×3.2螺母	Nut M6×3.2	3	
I-18	10009987	抬压脚双向曲柄	Crank	1	
I-19	10002563	抬压脚双向曲柄组件	Crank ASM.	1	
I-20	10008313	油盘	Oil reservoir	1	
I-21	10014194	油盘垫	Oil reservoir gasket	1	
I-22	10009984	抬压脚顶销	Pin	1	
I-23	10009991	SM5/16"×24螺钉	Screw SM5/16"×24	1	
I-24	10009988	7.8×13.5×1.3垫圈	Rubber ring 7.8×13.5×1.3	1	

\*\* 具体内容需向客服咨询  
 \*\* Specific content need to consult customer service

